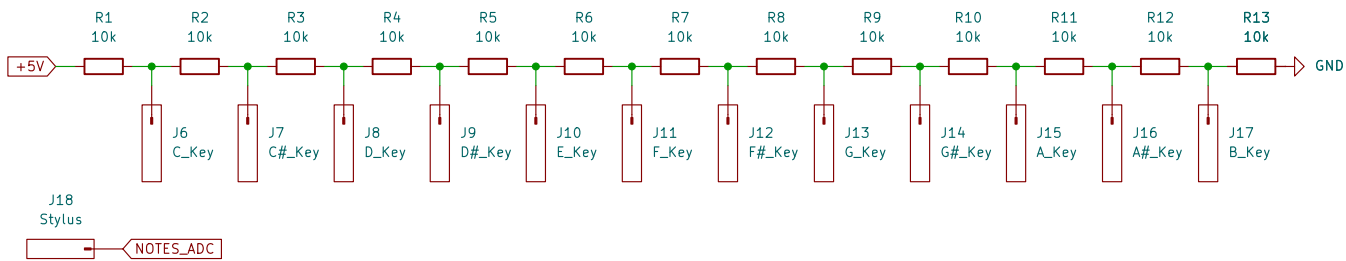
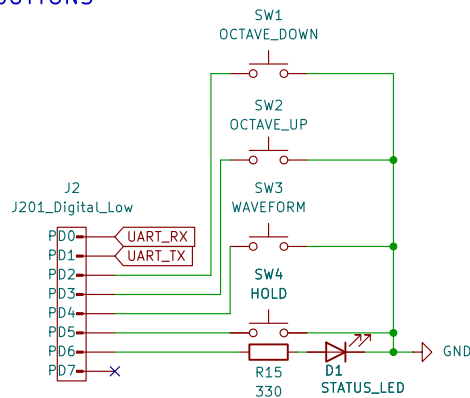


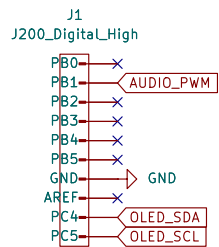
KEYS



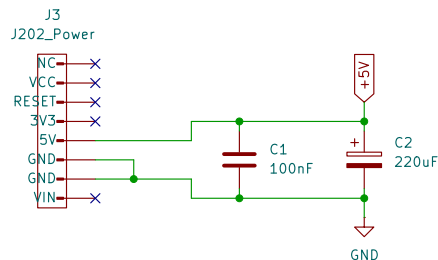
BUTTONS



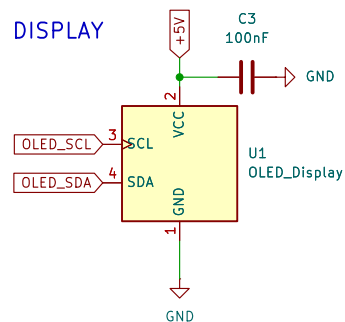
OUT SIGNALS



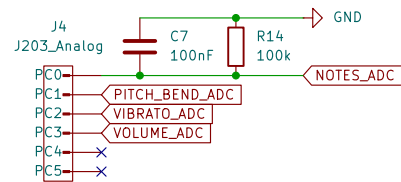
POWER



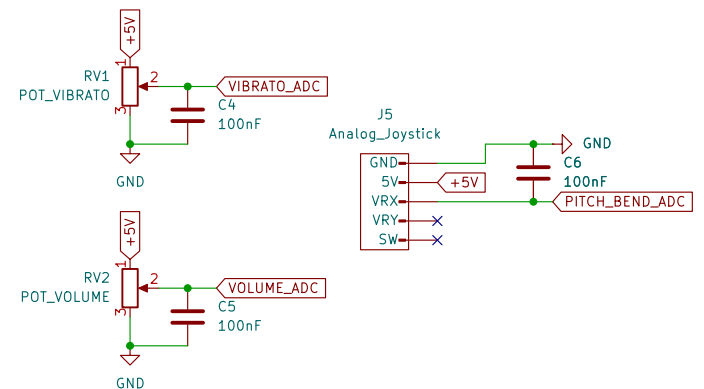
DISPLAY



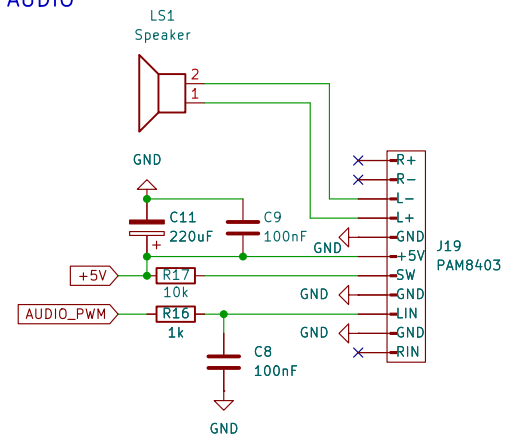
ADC INPUTS



MODULATION



AUDIO



Complete schematic design of a Stytophone-like device.
It has keys read by a stylus, volume control,
modulation, pitch shifting, octave changing and different audio waveforms.

Designed by Antoniu Florea

Sheet: 1/1

File: ProtoTone Synth.kicad_sch

Title: ProtoTone Synth

Size: A4 Date: 09.05.2026

KiCad E.D.A. 10.0.1

Rev: 1

Id: 1/1