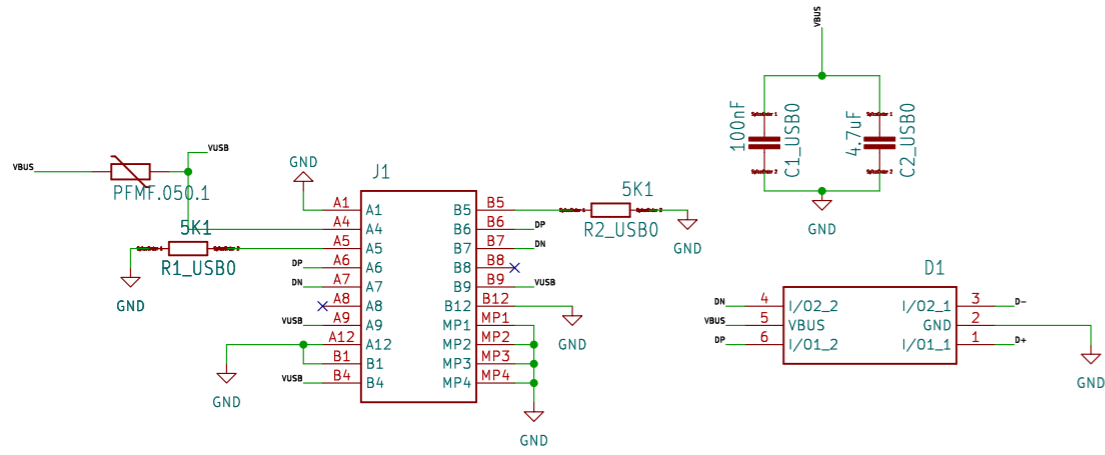
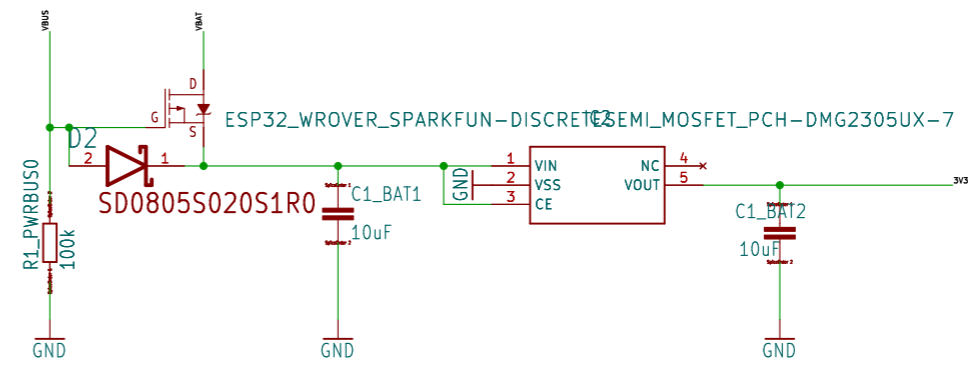


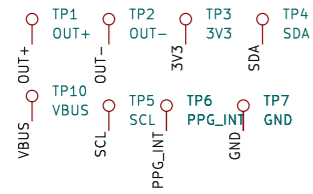
USB C connector & ESD protection



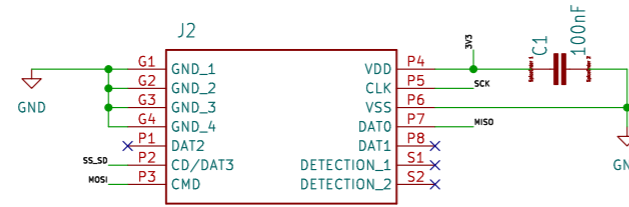
LDO Voltage Regulator



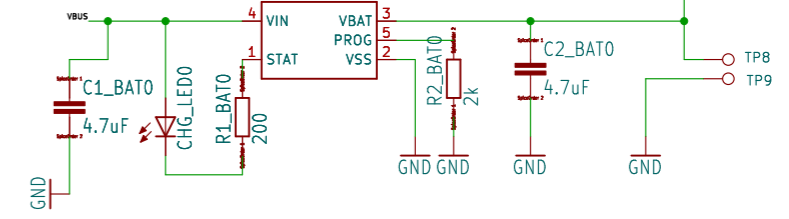
TEST POINTS



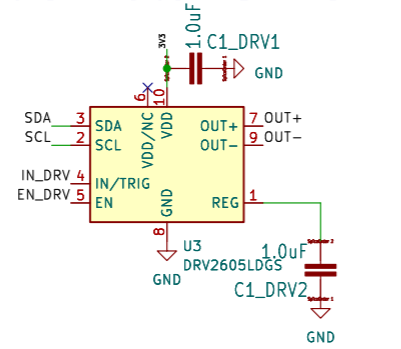
MicroSD Card Holder



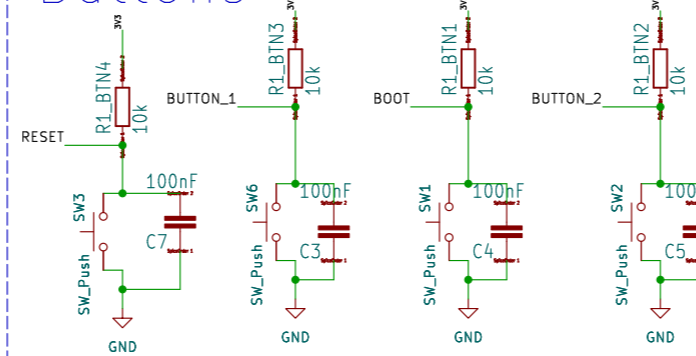
Li-Po Battery Charging Controller



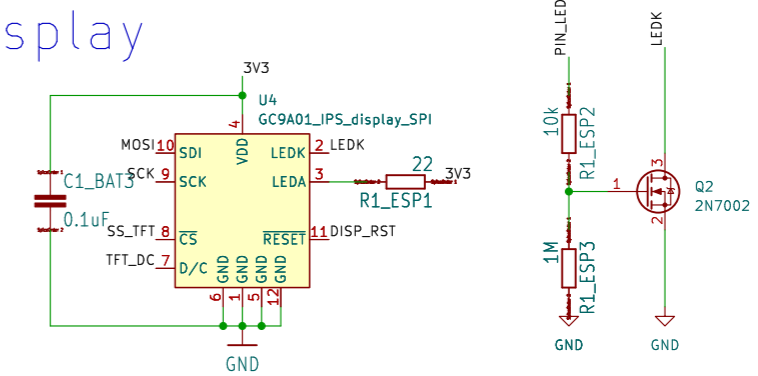
Haptic Motor Driver



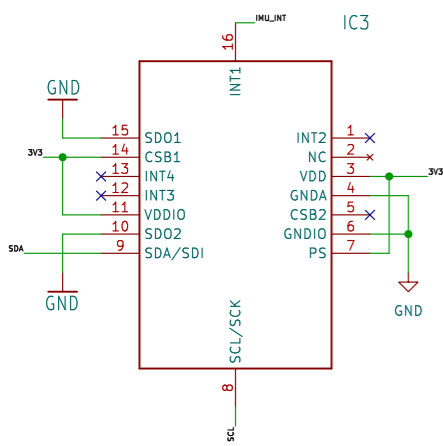
Buttons



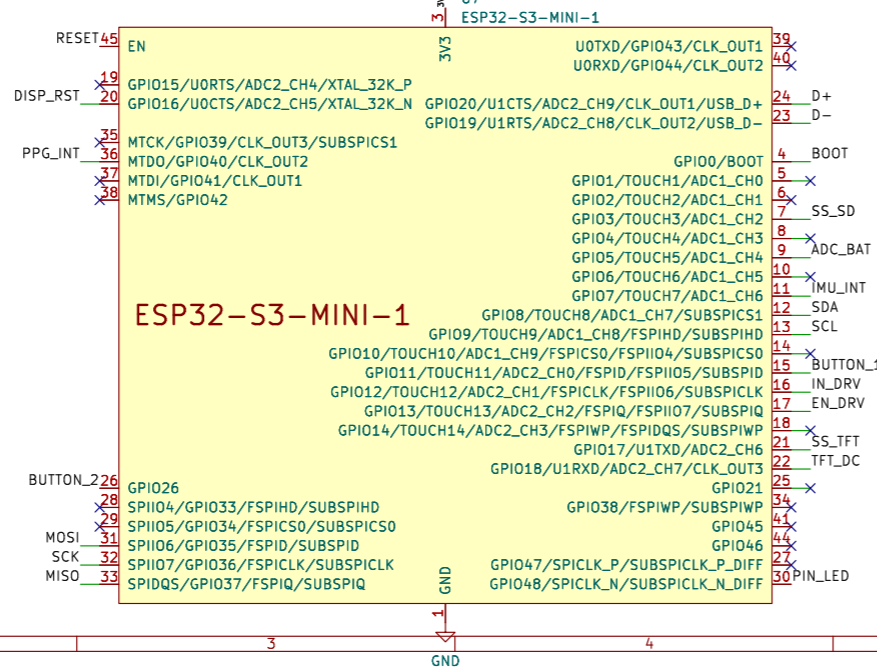
Display



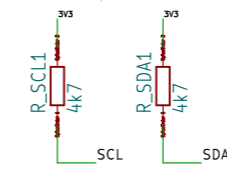
Accel & Gyro IMU



ESP32 S3 MINI



I2C pull-ups



Battery Charge Level

