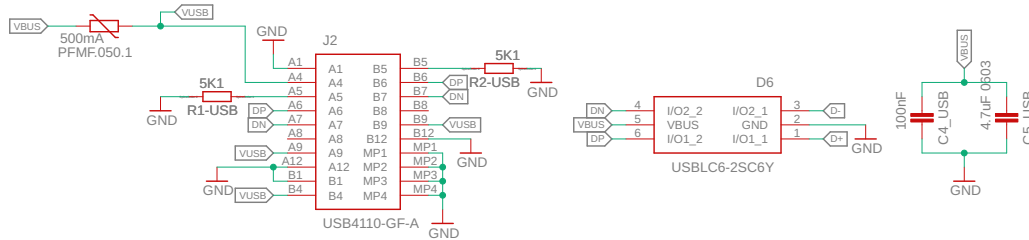
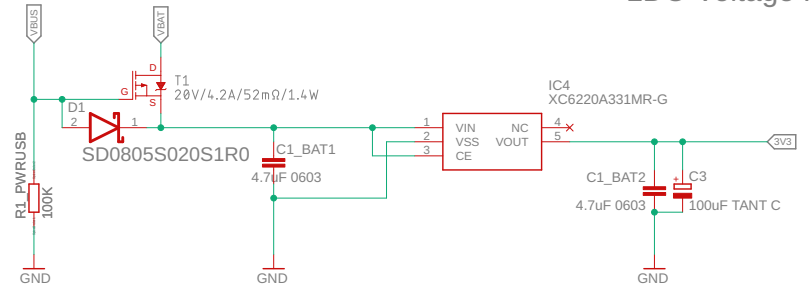


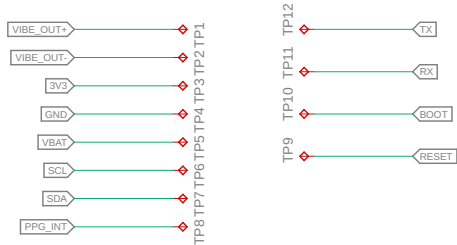
USB C connector & ESD protection



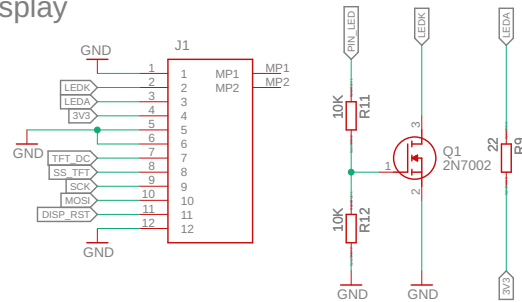
LDO Voltage Regulator



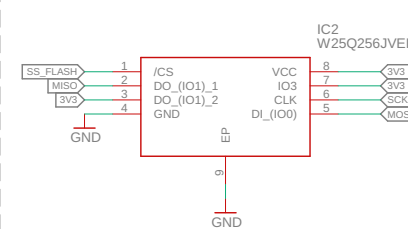
Test Pads



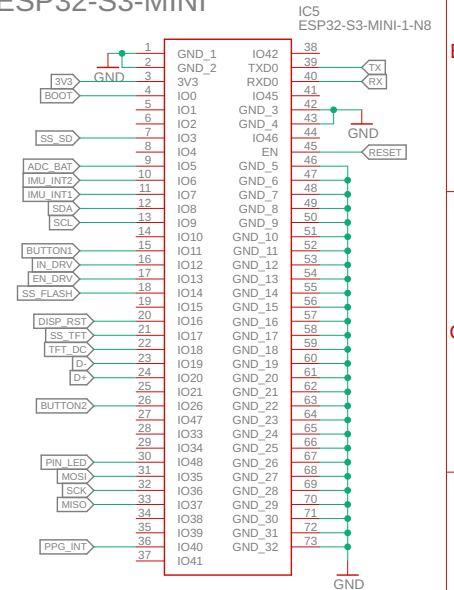
Display



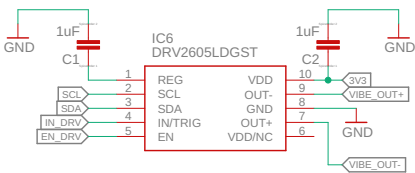
NOR Flash 32MB



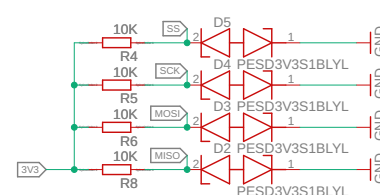
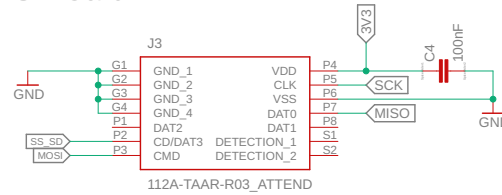
ESP32-S3-MINI



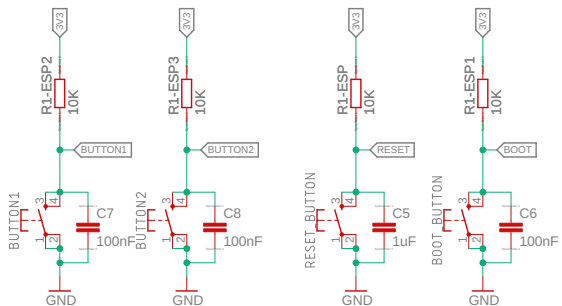
Haptic Driver



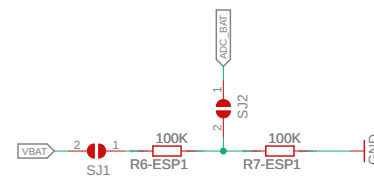
SD Card



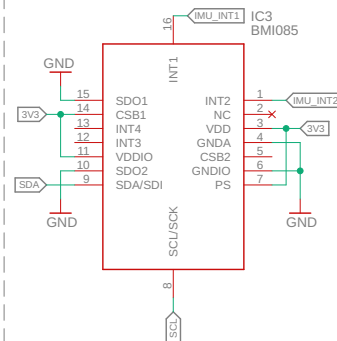
Buttons



Battery Level Monitor



Accel & Gyro IMU



Li-Po Battery Charging Controller

