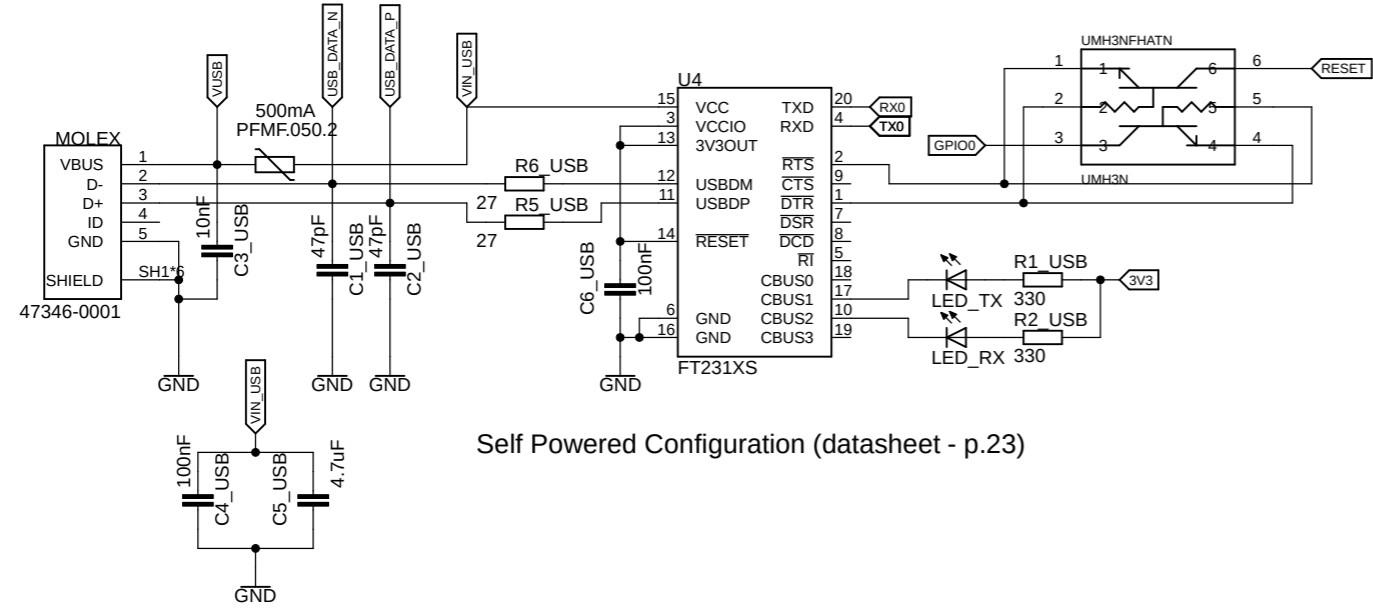
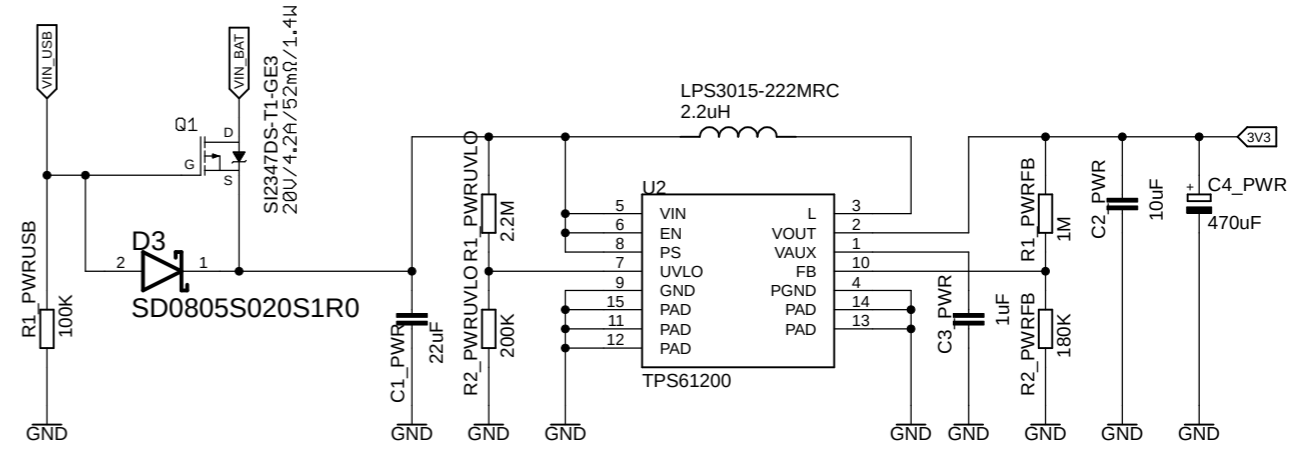


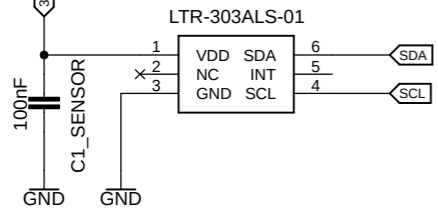
### USB-to-Serial Converter



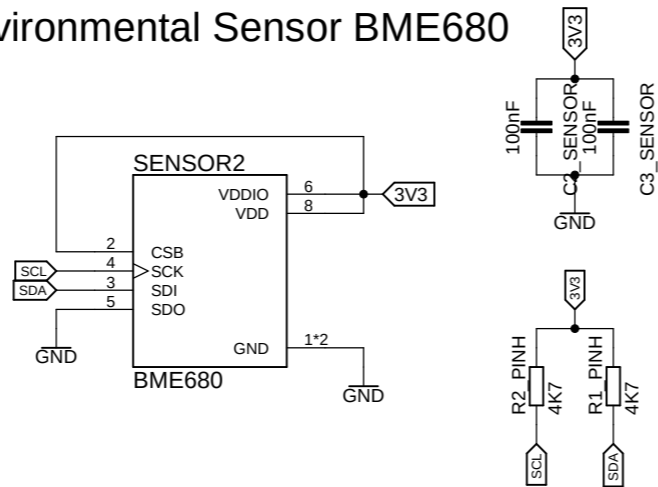
### Synchronous Boost Converter



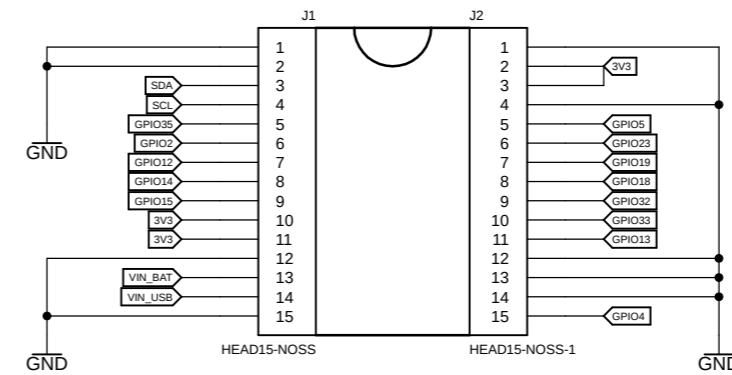
### Ambient Light Sensor LTR303



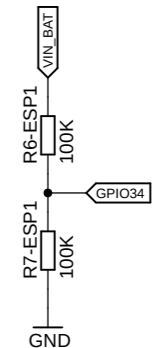
### Environmental Sensor BME680



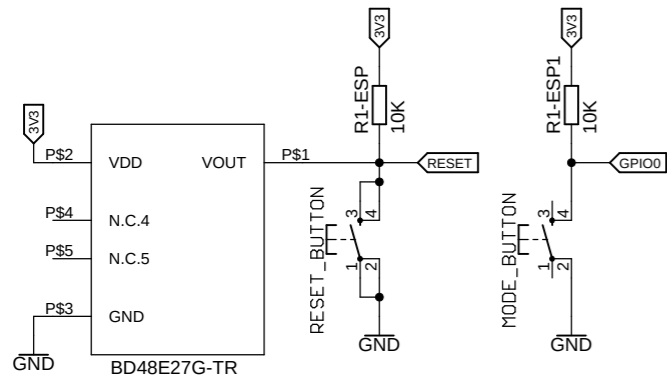
### Pin headers



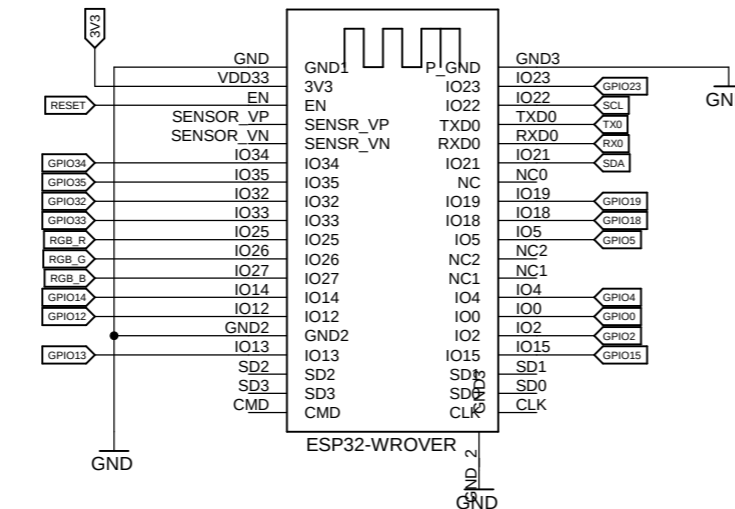
### Battery Charge Level



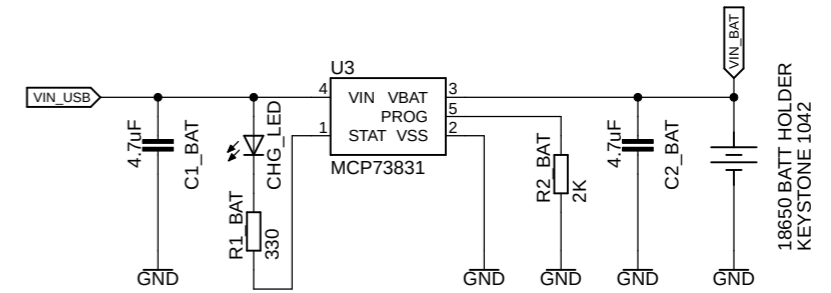
### Voltage Supervisor & Mode Button



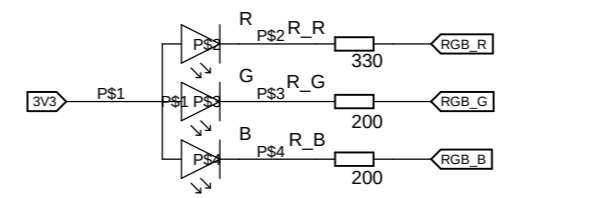
### ESP32 WROVER Module



### Li-Po Battery Charging Controller



### RGB LED



ESP32\_WROVER  
3/14/2022 12:58 PM  
Sheet: 1/2