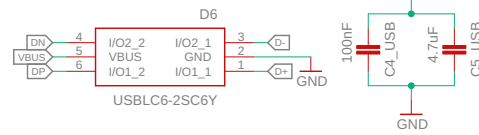
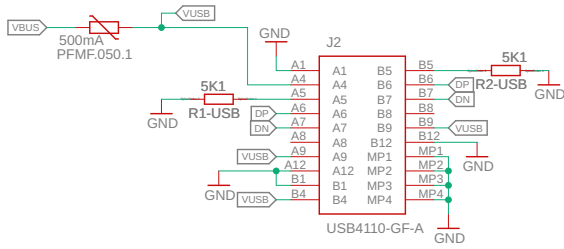
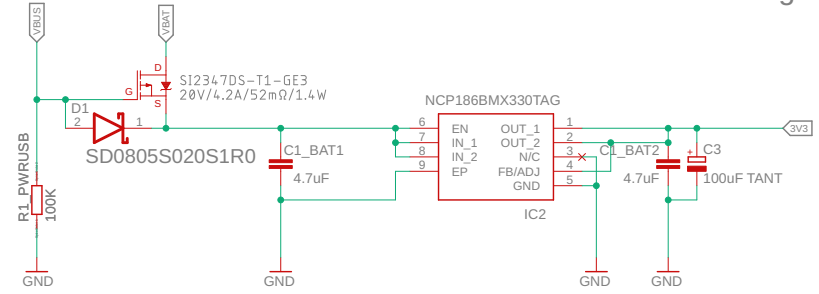


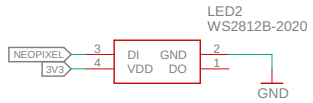
USB C connector & ESD protection



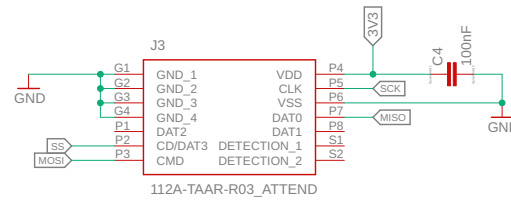
LDO Voltage Regulator



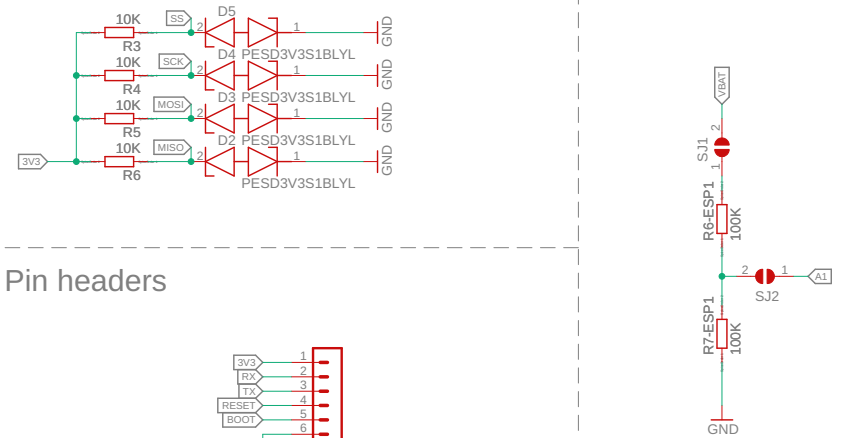
Neopixel RGB LED



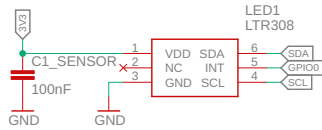
Micro SD Card Holder



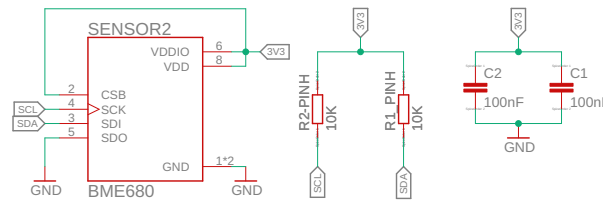
Battery Charge Level



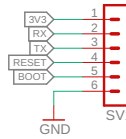
Ambient Light Sensor LTR308



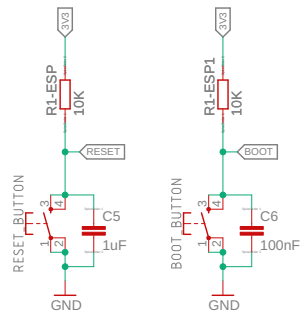
Environmental Sensor BME680



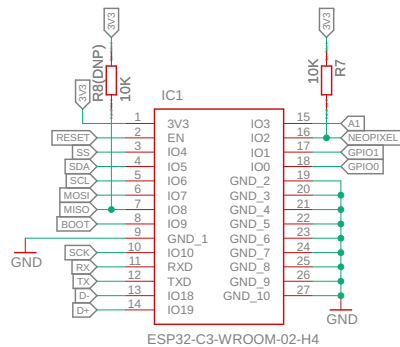
Pin headers



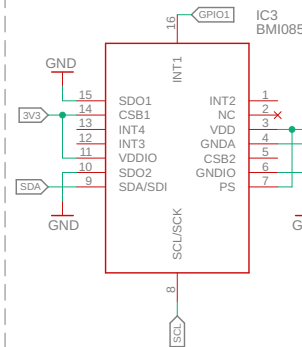
Reset & Mode Button



ESP32-C3 WROOM Module



Accel & Gyro IMU



Li-Po Battery Charging Controller

