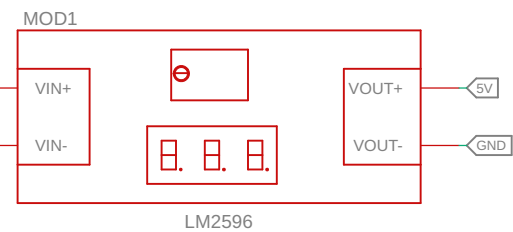


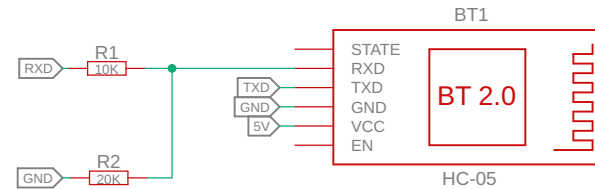
Battery



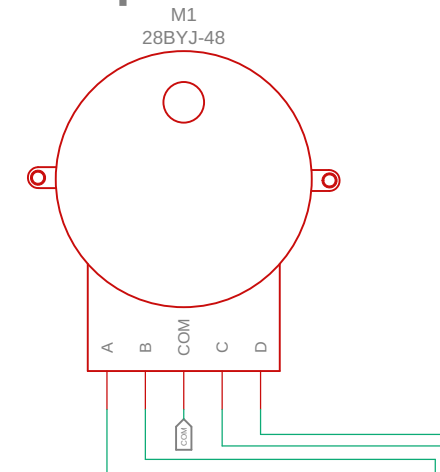
Voltage Regulator



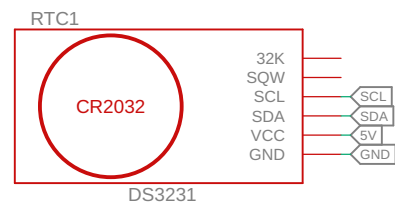
Bluetooth Module



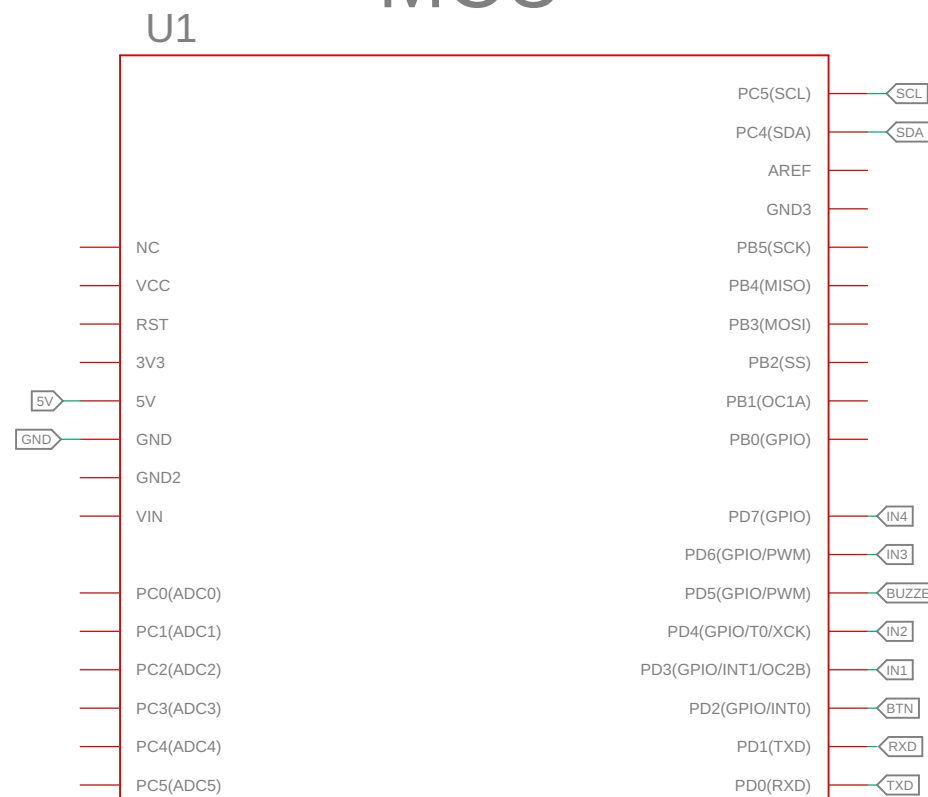
Step Motor



RTC Module

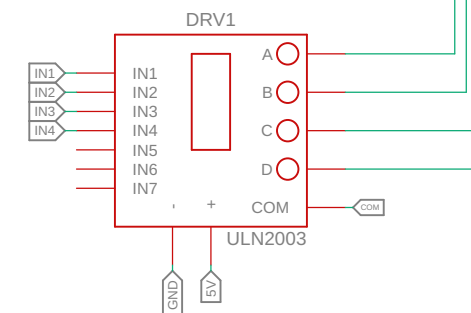


MCU

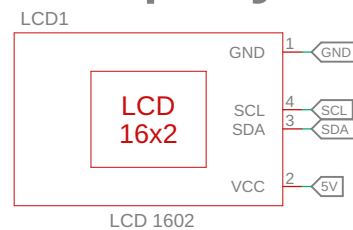


ATMEGA328P-XMINI

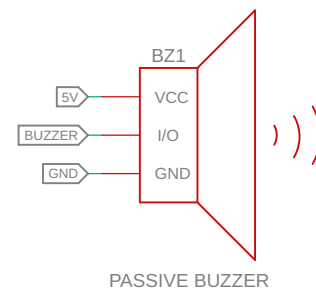
Motor Driver



Display



Passive Buzzer Module



Button

