

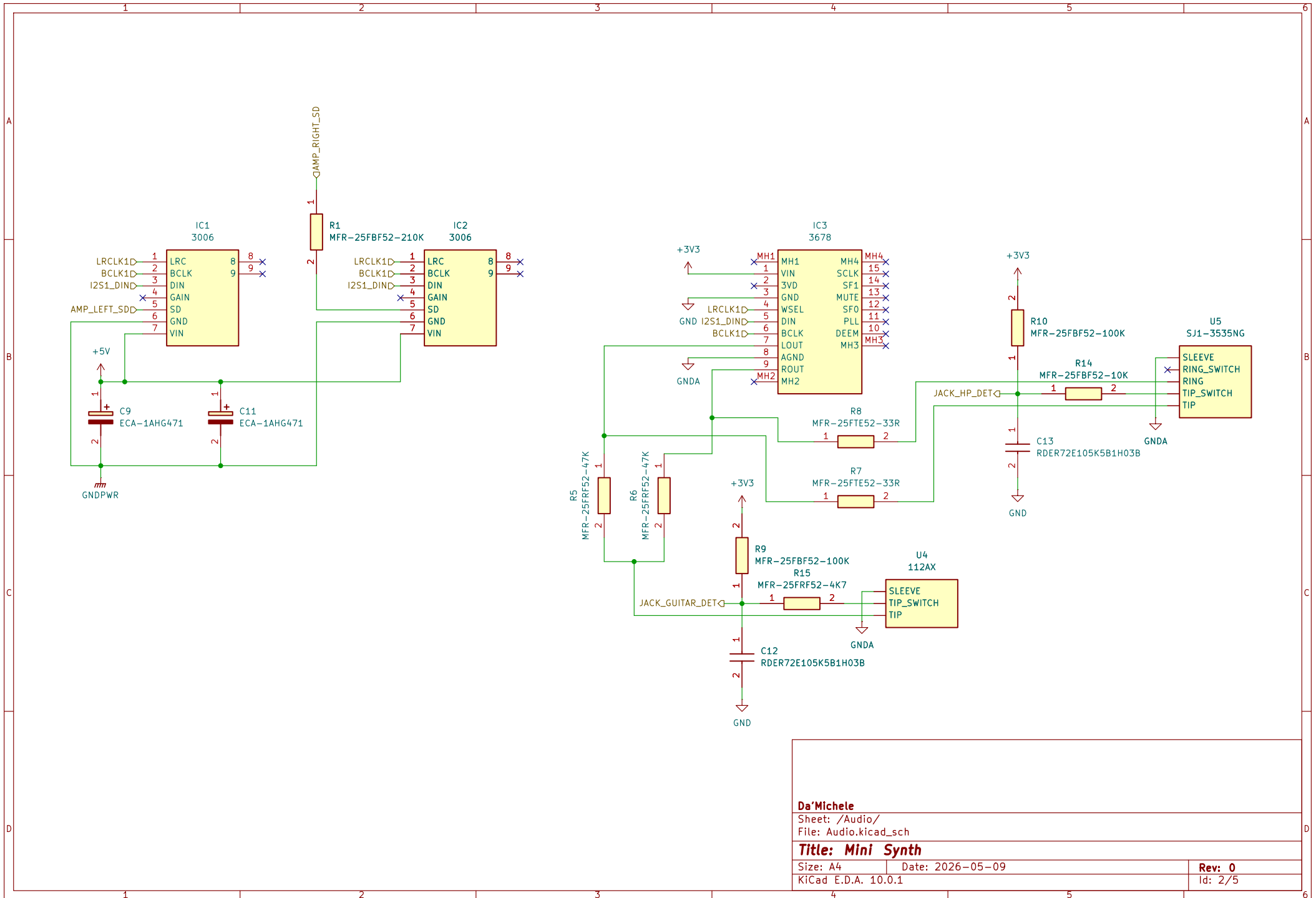
Remove 1 MΩ pull-up SMD resistor on each MAX98357A breakout (between SD and V<sub>IN</sub>).  
 MUST cut VIN-VUSB trace on Teensy back when using external power  
 Teensy 4.0 - strict 3.3V GPIO; back-pin pads exposed but unused

**Da'Michele**

Sheet: /  
 File: MiniSynth.kicad\_sch

**Title: Mini Synth**

Size: A4	Date: 2026-05-09	Rev: 0
KiCad E.D.A. 10.0.1		Id: 1/5



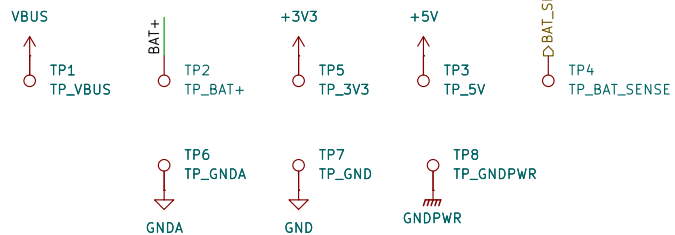
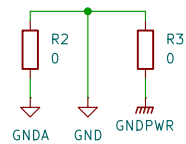
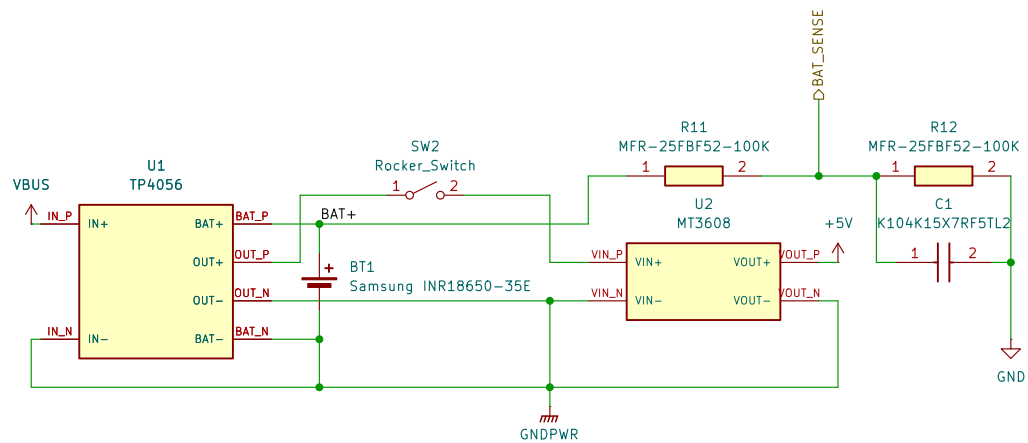
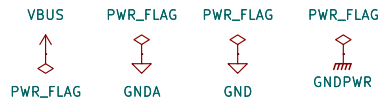
**Da'Michele**

Sheet: /Audio/  
File: Audio.kicad\_sch

**Title: Mini Synth**

Size: A4 Date: 2026-05-09  
KiCad E.D.A. 10.0.1

Rev: 0  
Id: 2/5



**Da'Michele**

Sheet: /Power/

File: Power.kicad\_sch

**Title: Mini Synth**

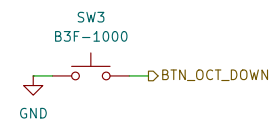
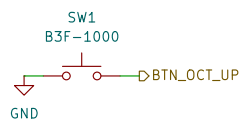
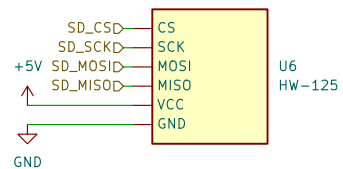
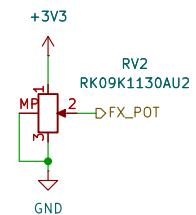
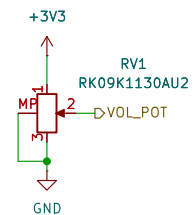
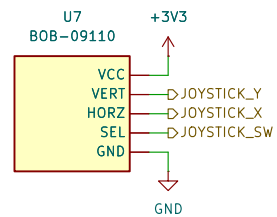
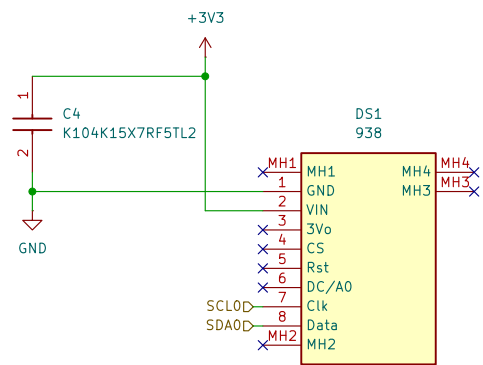
Size: A4

Date: 2026-05-09

Rev: 0

KiCad E.D.A. 10.0.1

Id: 3/5



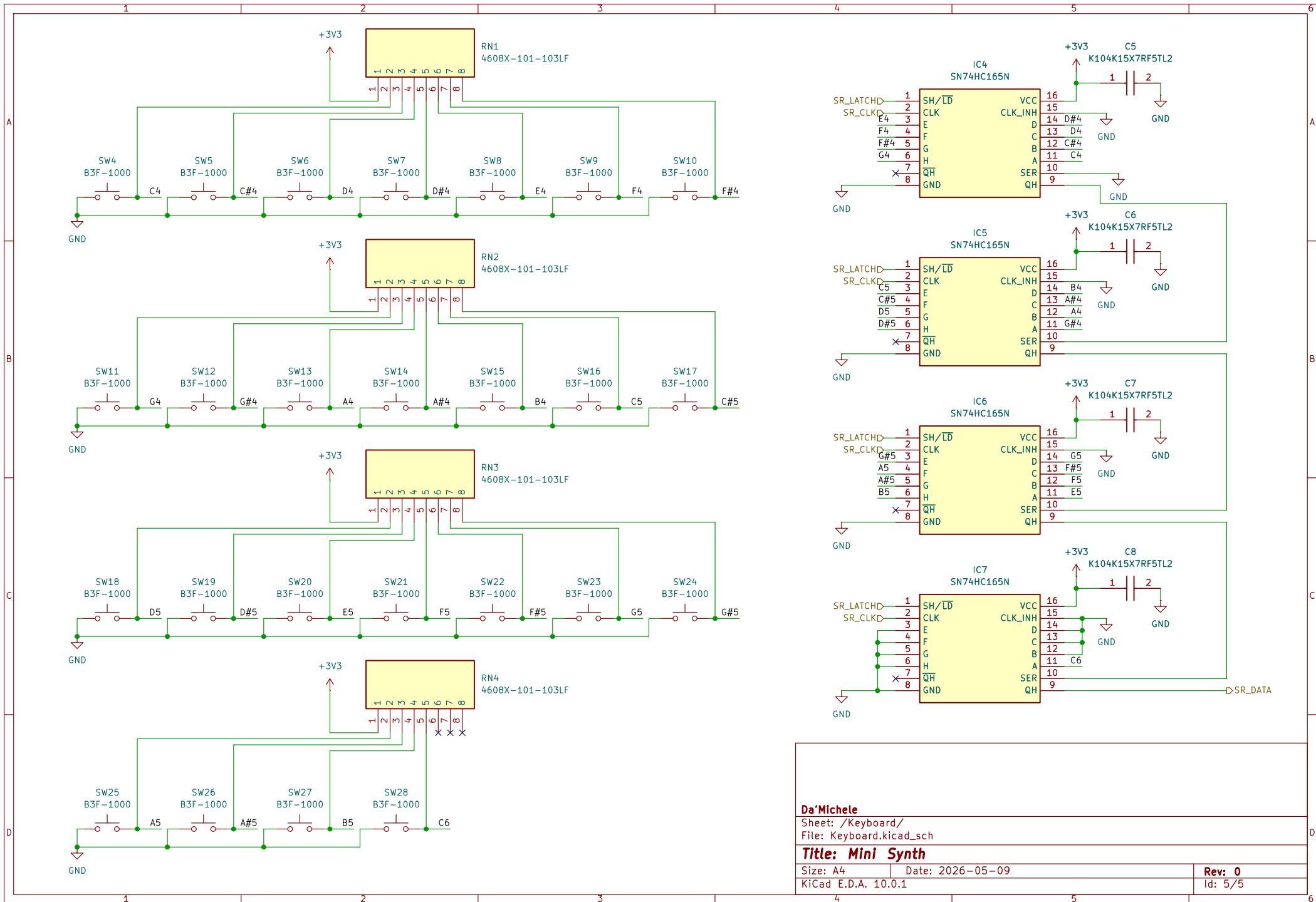
**Da'Michele**

Sheet: /User Interface/  
File: User\_Interface.kicad\_sch

**Title: Mini Synth**

Size: A4 Date: 2026-05-09  
KiCad E.D.A. 10.0.1

**Rev: 0**  
Id: 4/5



**Da'Michele**

Sheet: /Keyboard/  
File: Keyboard.kicad\_sch

**Title: Mini Synth**

Size: A4 | Date: 2026-05-09  
KiCad E.D.A. 10.0.1

Rev: 0  
Id: 5/5