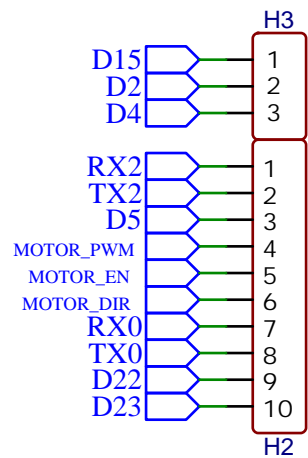
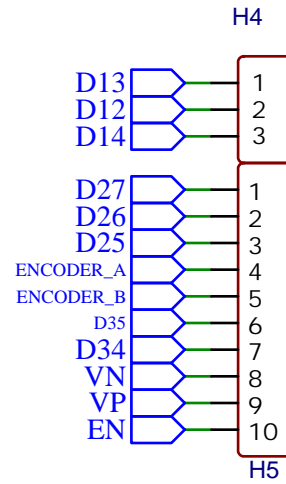
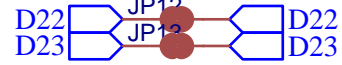
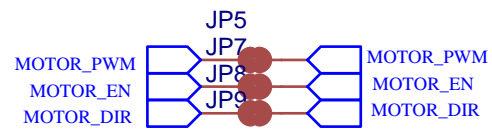
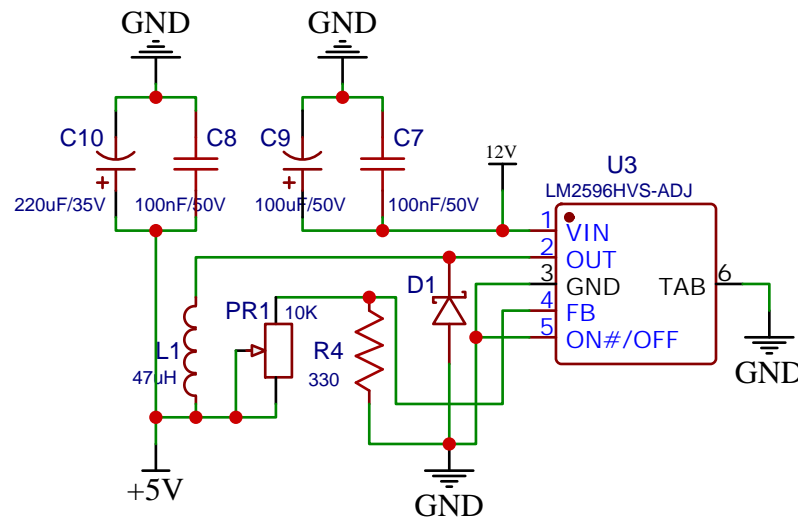


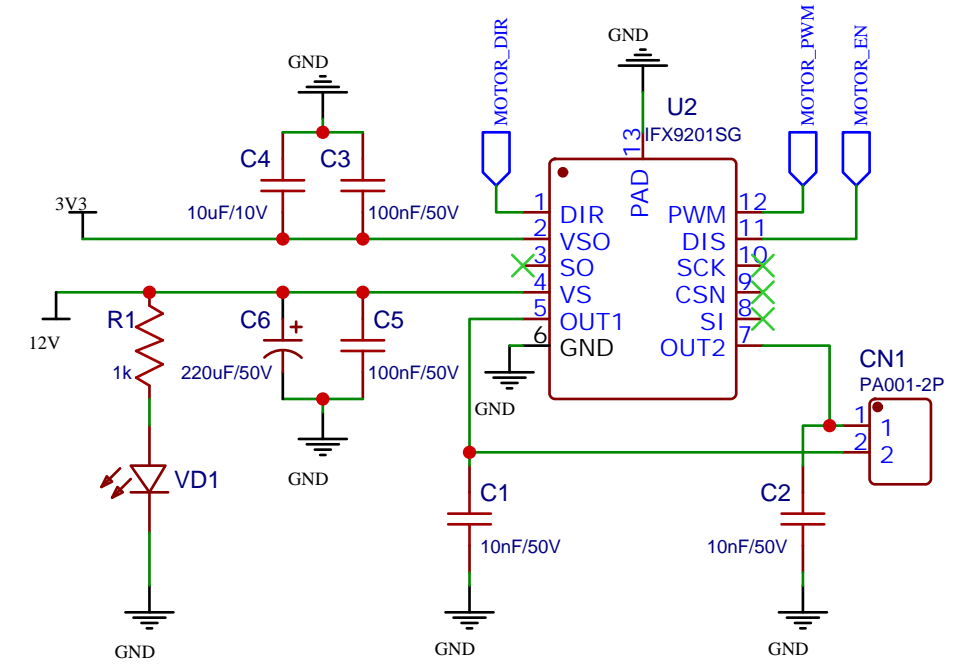
Connectors/Miscellaneous



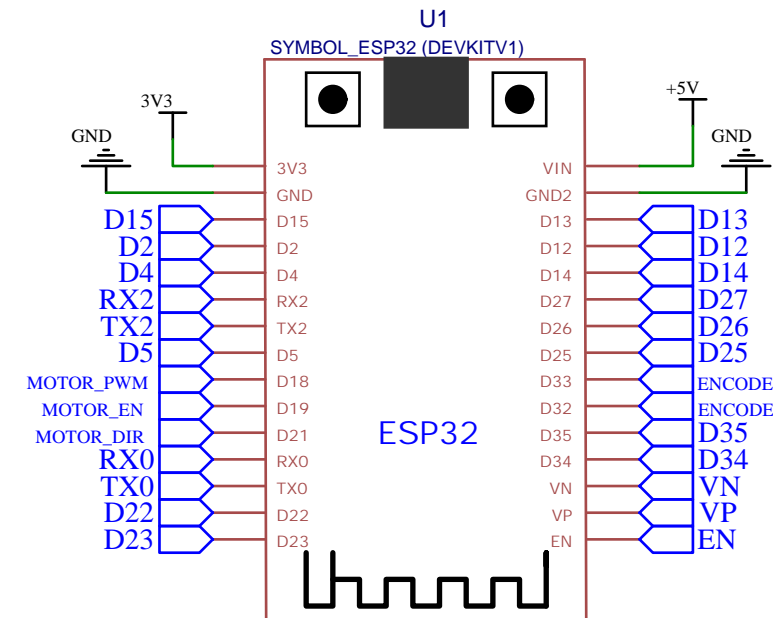
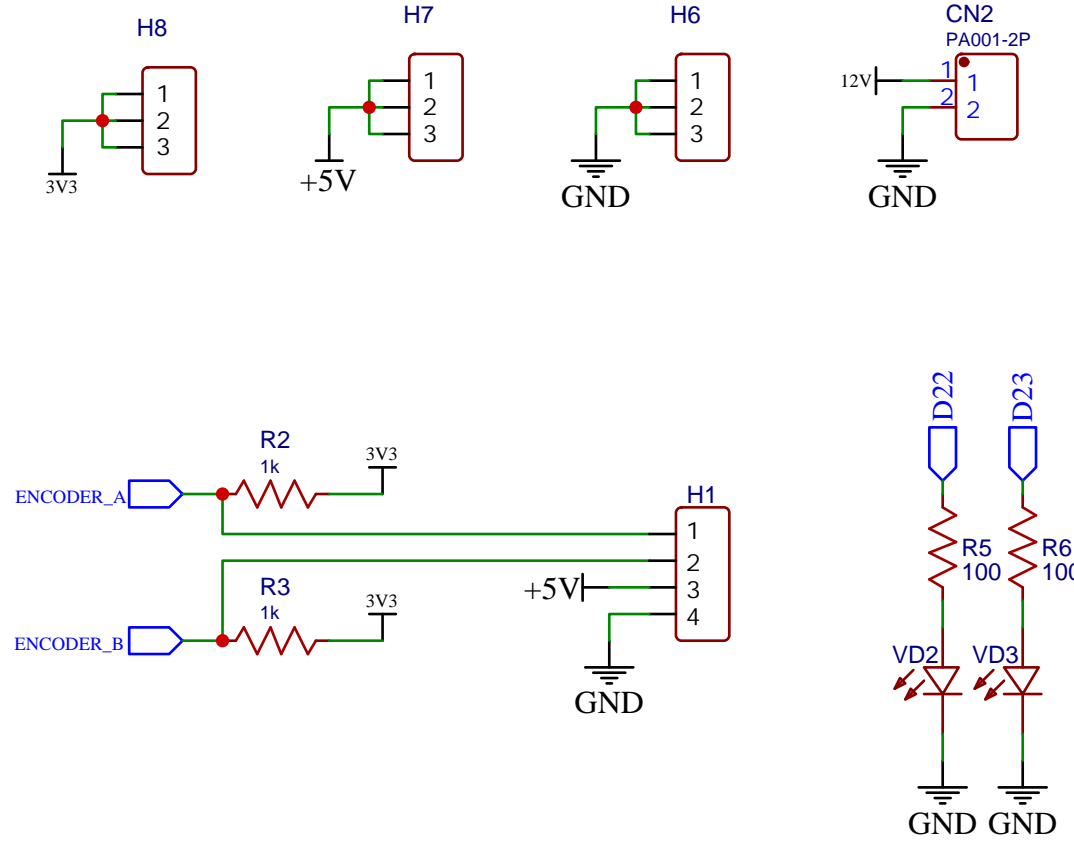
LM2596HVS Buck Converter



IFX9201SG 6A H-bridge motor driver



ESP32 DevKit V1



TITLE: Inverted Pendulum		REV: 1.0
EasyEDA	Company: Your Company	Sheet: 1/1
	Date: 2024-05-17	Drawn By: Tudor Petracovici