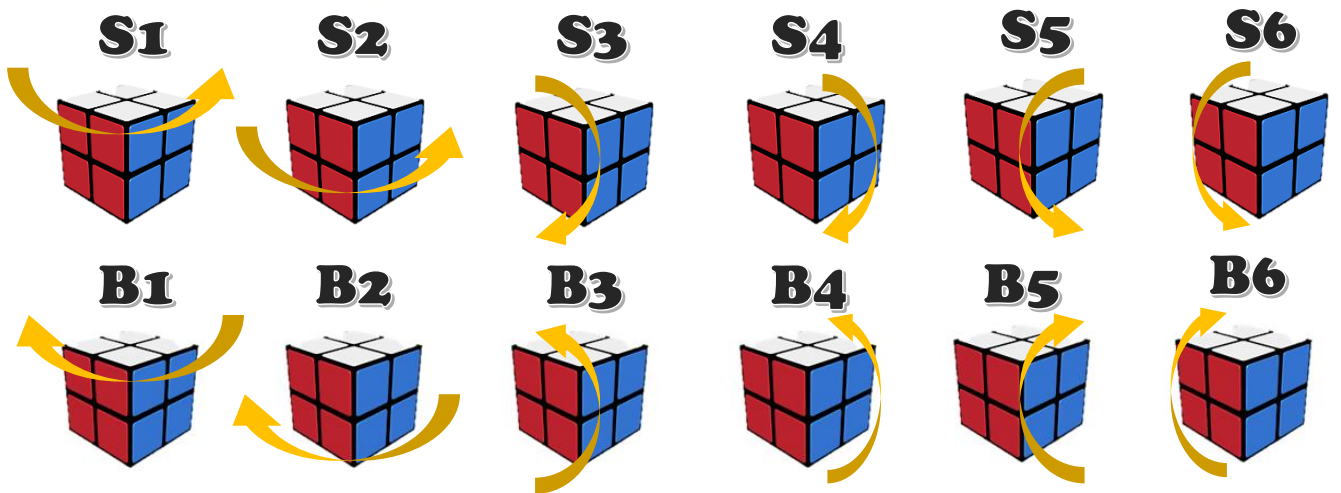
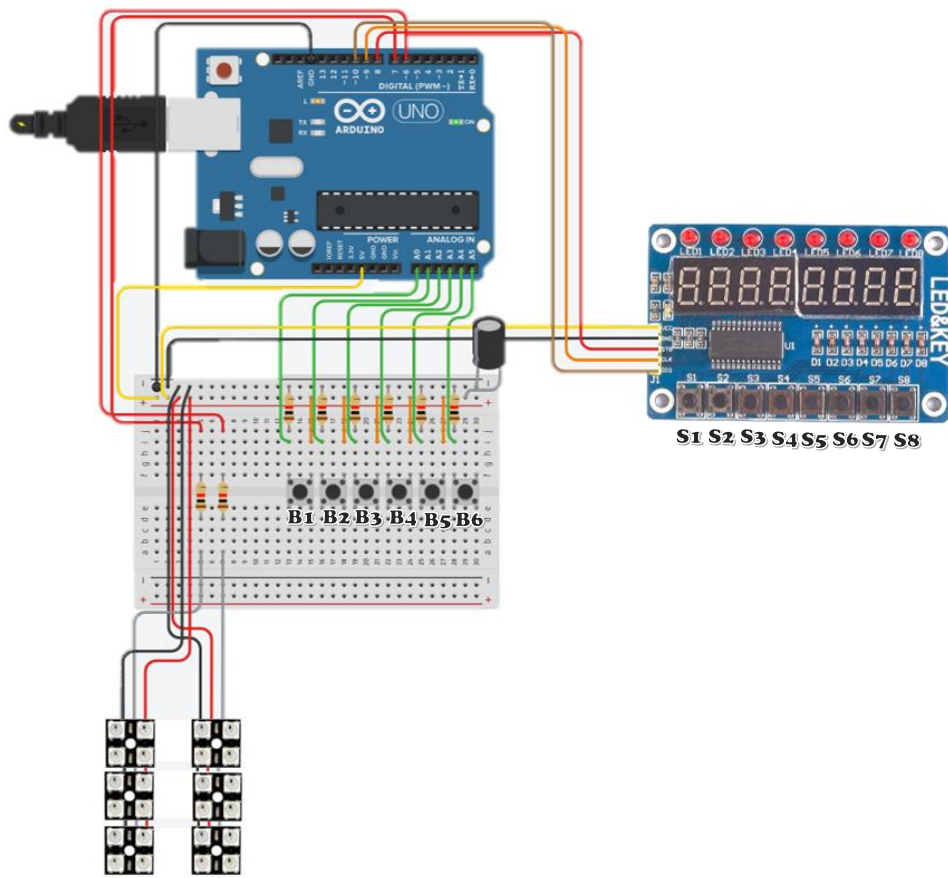


# Rubik's Cube

by Dobrin Bogdan-Valentin, 336CC



**S7** - start/stop timer

**S8** - reset cube