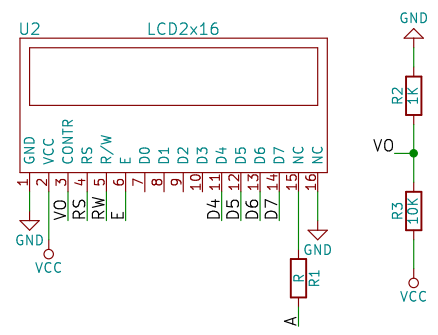
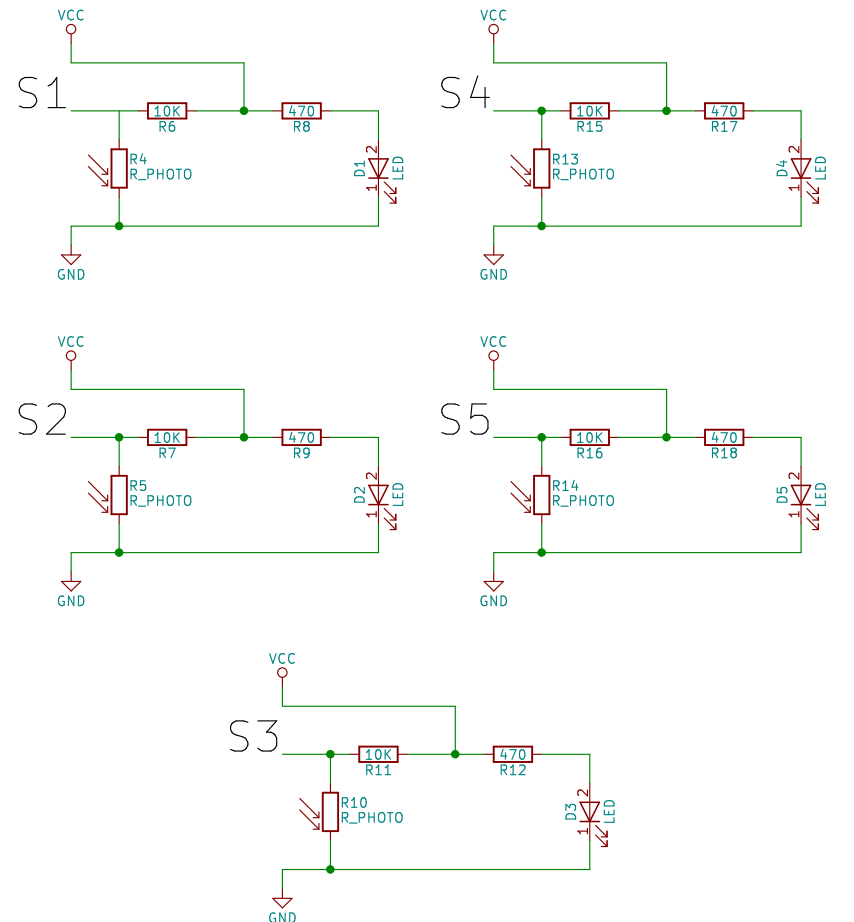


MCU



LCD 16x2



Senzori Flex

Sheet: /		File: speaker.sch	
Title:		Rev:	
Size: A4	Date:	Id: 1/1	
KiCad E.D.A. kicad 4.0.7			