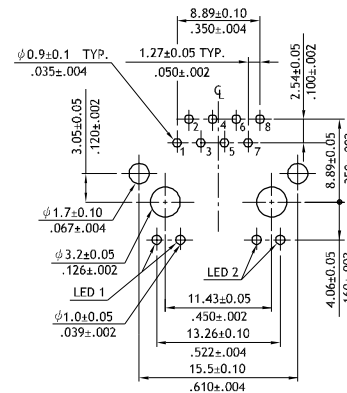
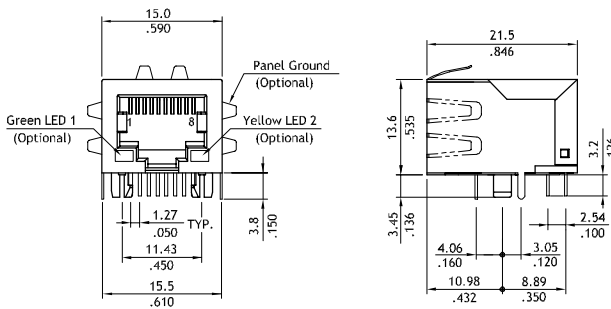


CJCB Series 10/100 Base-Transformer RJ45 PCB Jack

NEW

- ⊙ Insulator; Black, Glass filled Polyester
- ⊙ Flammability Rating: UL 94V-0
- ⊙ Cavity confirms to FCC rules and regulation
PART 68, SUBPART F
- ⊙ Panel ground & LED available



Recommended P.C. Board Layout

Code	Plating	Solder tail	Under plating
	Contact area		
H	6u" gold	150u" Tin Min.	50u" Nickel
B	15u" gold		
C	30u" gold		
E	50u" gold		

CJ

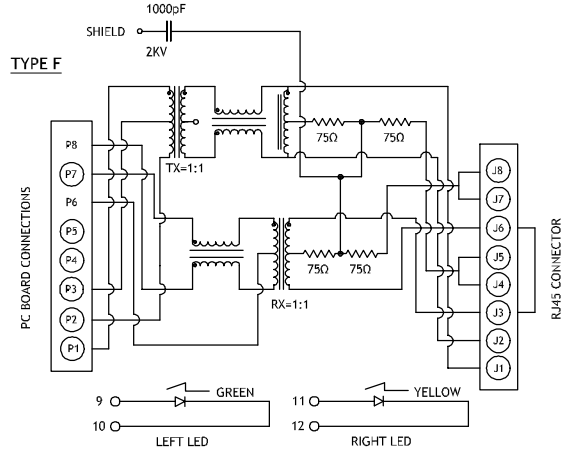
Ordering Code

1 2 3 4 5 6 7 8
C J C B A 8 H A 1 Y 0

- ① Series No.
- ② Contacts: A=10
- ③ Solder tails:
- ④ Plating option:
See above table
- ⑤ Transformer Type:(See Page C90~C91)
A=Type A , D=Type D
B=Type B , E=Type E
C=Type C , F=Type F
- ⑥ Insulator Color: 1=Black
- ⑦ Panel ground option:
Y= With Panel Ground & LED
N= Without Panel Ground & LED
P= With Panel Ground & Without LED
D= Without Panel Ground & With LED
- ⑧ Other options:
0=Standard

I/O CONNECTOR

CJ Series 10/100 Base-Transformer PCB Schematics layout



TS8P8C-PCB-TRAF - Comet Electronics Part Number