

A Lightweight, Versatile Gateway Platform for Wireless Sensor Networks

Andrei Voinescu, Dan Tudose, Dan Dragomir
Automatic Control and Computers Faculty
University Politehnica of Bucharest,
{andrei.voinescu, dan.tudose, dan.dragomir}@cs.pub.ro

Abstract—A Lightweight, Versatile Gateway Platform for Wireless Sensor Networks

Wireless Sensor Networks enable the Internet of Things through their many applications, and as such require multiple, flexible gateway platforms. Gateways in Wireless Sensor Networks are bulky, difficult to use devices requiring special deployment and extra programming effort. We designed a lightweight, extremely portable, dual-processor USB device with an optional external antenna. Our design proves to be versatile both on the USB side, where it can appear as a serial connection or a wireless network interface, and on the RF side, where it matches the hardware of our wireless sensor platform, and therefore shares much of its codebase. The wireless USB device can be used standalone with any PC, and for extra portability it can be attached to a small Linux device (such as RaspberryPi), making it suitable for any wireless sensor network application, both indoor and outdoor. [6]

Index Terms—gateway, wireless sensor networks, USB

I. INTRODUCTION

Wireless Sensor Networks are not yet the ubiquitous tools that help us interact with the physical world, but they gather more and more deployments, both for research and business. These deployments vary widely in assumptions and conditions, as they range from the wireless sensor network put inside a home to monitor basic parameters, to agricultural WSNs [3], [2] used for fine-grained irrigation control, to space exploration applications [9] etc. All these applications require different types of interfaces with the rest of the world and impose restrictions on the gateway/base-station. Current gateway platforms [7], [4], [5] are bulky devices or PCs connected to one of the wireless nodes that serve as a base-station. We aim to show in this paper that there exists a solution for gateway design that is more versatile - can be included in any application -, is smaller and cheaper and offers ease of use and programming.

We introduce SparrowDongle, a USB stick featuring two microcontrollers that is designed to be included in wireless networks composed of 2.4GHz Zigbee nodes, especially our own design, Sparrowv3.2. We will show an overview of the system architecture in Chapter II, the hardware and software implementation in Chapter III and results of using the gateway in Chapter IV.

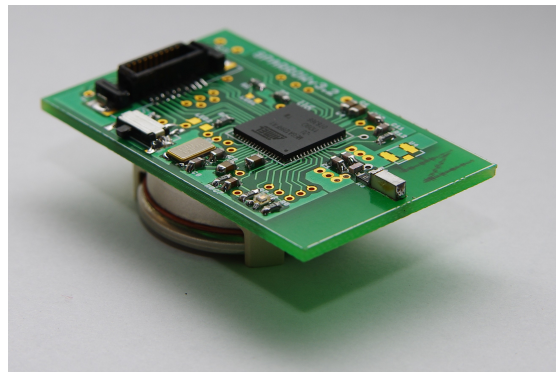


Figure 1. Sparrow v3.2 wireless node

II. SYSTEM ARCHITECTURE

The canonical implementation for Atmel Zigbee transceivers is a USB stick device with a USB controller and radio transceiver, which means that the USB controller unit (the only controller present) on the device is responsible for both radio and USB stack communication. This lack of separation between key functions of the gateway platform leads to the undesirable effect of software for the USB stack competing for MCU time with the wireless stack. This greatly limits both the USB throughput, features of the device and the complexity of the wireless stack. The wireless stack in this scenario cannot have tight timings built around receiving and transmitting packets on the wireless link, as transfer to and from the microcontroller unit (MCU) is both slow and delayed by (possible) USB tasks running asynchronously.

Our implementation differs in that respect by including two separate controllers on the gateway device, one for USB communication and the other for the 2.4GHz Zigbee stack. This approach has several key advantages, described in sections II-A and II-B.

Additionally, a number of design features were included for ease-of-use in research and development, outlined in II-C, II-D

A. Separation of functionality

USB communication is poll-based and initiated by the USB host. The SparrowDongle stick acts as a USB device and its role requires frequent (every millisecond) and low-latency

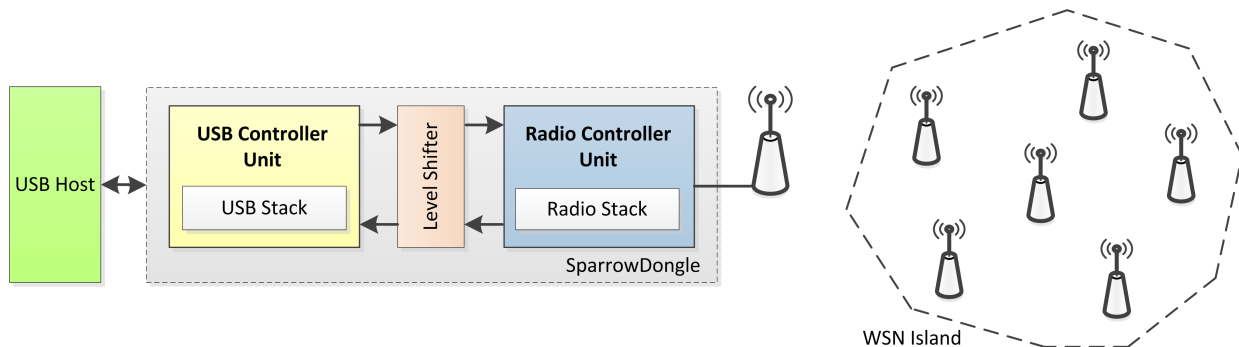


Figure 2. SparrowDongle stick architecture

communication with the USB host. Having two controllers, the RF controller can run any RF communication stack without having the USB code intrude on key timings. The serial link that connects the two controllers has both sufficient speed and simplicity to allow each controller to dedicate most computing cycles to handling communication on the USB and wireless links, respectively.

B. Homogeneity

The components used for the RF communication in the SparrowDongle stick are identical to those used for the Sparrowv3.2 nodes, thus they can share the same codebase (As opposed to having an implementation for 8-bit AVR and an implementation for ARM/x86). In many cases, gateways run on different architectures than wireless sensor nodes and require stacks re-purposed for that specific architecture (or for that platform, in the case of the canonical Atmel implementation of the gateway). SparrowDongle eliminates the need for a different branch of the same wireless stack since the code running on the gateway is virtually identical to that running on any sensor node.

C. Ease of programming

SparrowDongle offers an easy-to-use programming and debugging interface for both the USB controller and the RF controller. To keep the overall size of the device small, we used shared ISP (In-System-Programming) and JTAG (Joint Test Action Group) headers for programming the two controllers. This only requires an ISP header, a JTAG header and two headers for jumper selection (One jumper connects the ISP signal SCK to the respective SCK signal pin on one of the controllers, the other connects the JTAG signal TCK to its respective signal pins on one of the controllers), as shown in Figure II-C.

D. External Antenna

The design for the SparrowDongle wireless stick includes an optional UFL connector for an external antenna, which greatly increases range. A large, 8dBi omni-directional antenna

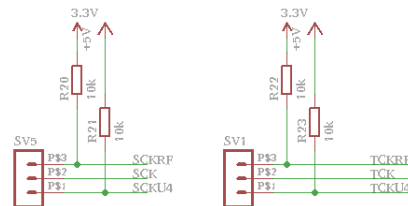


Figure 3. Header selection for programming clock signals

mounted on both gateways and nodes would amount to around 200 metres of communication range, well over the 70m measured with the default antennas.

III. IMPLEMENTATION

A. Hardware Details

The hardware components present on the SparrowDongle board are split according to functionality. The part of the board that handles the wireless communication has similar hardware with that of a Sparrowv3.2 wireless sensor node:

- RF-enabled microcontroller unit: The ATmega128RFA1 is an 8-bit microcontroller from Atmel that has an on-chip 2.4GHz wireless transceiver.
- On-board antenna/External antenna connector and the appropriate RF interface circuit enables wireless communication in the 2.4GHz band
- 16MHz MCU clock is used as the main clock domain
- 32768 Hz real-time clock is used to keep track of tight timings in the wireless network protocol

On the USB side, an ATmega32U4 is used as an USB Controller Unit.

Since the Radio Controller Unit needs 3.3V to operate, an additional power supply from the USB's 5V to 3.3V is needed, as well as level adjusters for the signals connecting the two controllers on SparrowDongle.

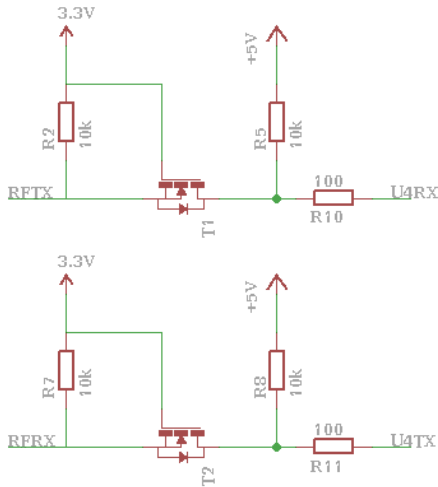


Figure 4. Level shifters for inter-controller communication

B. Software Implementation

Software for the SparrowDongle gateway is found on the two controllers. Firmware on the Radio Controller Unit will contain the wireless communication stack we developed for the Sparrowv3.2 wireless node.

Firmware on the USB controller unit contains the USB stack. While there are a few libraries available for an USB stack on the ATmega32U4, our tests indicate that the highest reliability and performance (with the smallest memory footprint) can be obtained with "bare metal" USB code. So far the Virtual Serial Port and Ethernet Emulation device classes have been implemented and tested. The VirtualSerialPort works both on Windows and on Linux, while the Ethernet Emulation device only works on Linux currently, since no open-source drivers exist for this USB class on Windows.

IV. RESULTS

In this chapter we will cover the results obtained with this gateway platform and other possible applications.

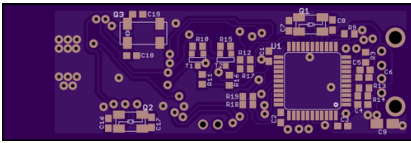


Figure 5. Bottom side of SparrowDongle PCB

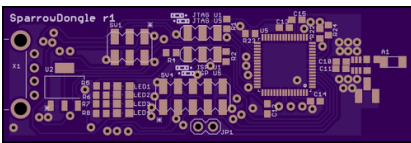


Figure 6. Top side of SparrowDongle PCB

A. Performance

Throughput testing was done with back-to-back packets sent at 250kbps over 2.4GHz with one sending node in acceptable range, with no losses. This is due to the double-buffering used in receiving packets from the wireless network. As soon as one packet ends, a signal is sent to the radio controller unit with a small delay of $9\mu S$. Even if a new packet starts in that small interval, receipt of the new packet goes unhindered as the first bytes of the old packet have already been transferred to a different memory location from which they will be sent to the USB controller unit via the serial connection.

B. Software configurations

A great advantage of using a dedicated USB Controller Unit for the gateway is that it can be programmed as one of several USB Communication Classes. The USB Controller Unit is not limited in implementing any of these classes since most of the computing power at its disposal is reserved for USB. SparrowDongle can appear as different USB devices:

- *Virtual Serial Port*: Communication with the wireless island around the gateway can be made via a serial link, incoming packets will appear on the receive end of this port and packets will be sent on the transmit end. In typical Unix fashion, our implementation sends packet in ASCII for ease of use and debugging. They are converted to binary form on the Radio Controller Unit of the gateway
- *Ethernet Emulation*: In this fashion, packets are received on the gateway and then encapsulated in an Ethernet packet sent over the USB link (Ethernet is emulated between the USB device and USB host)
- *Network card*: SparrowDongle behaves as a wireless network card, the operating system will register a network interface for the gateway and addresses assigned to this interface will change the gateway's address in the wireless medium (as opposed to changing the address for the emulated Ethernet)
- *Mass Storage*: SparrowDongle can offer a virtual filesystem interface for innovative data acquisition from the wireless sensor network. In accordance with the Unix philosophy of "everything is a file", the virtual filesystem offered by the USB stick could have a file for each wireless node where it stores recent data (as much as the gateway can store in its volatile memory, 1-2 records per node). The software implementation for this interface is under development.

C. Applications

The versatility of the SparrowDongle gateway platform allows it to be deployed in a wide range of applications, whether the gateway has to be connected to a PC or a small embedded device, whether it has to implement a virtual serial connection or to emulate an ethernet link.

For instance, these are the application in which SparrowDongle is currently deployed:

- Connected to a Windows PC, feeding wireless sensor data into a service framework for building control, in the FCINT project. [1]
- Connected to an Embedded Linux board, such as the small RaspberryPi, for plug-and-play monitoring of a wireless sensor island.
- Connected to a Parrot Drone [8], for remote monitoring using a mobile gateway.

V. CONCLUSION

The paper presented a versatile gateway platform for wireless sensor networks that is both capable of serving current application needs as well as offer the ability to interface sensor networks in a novel way (sensor data as files).

The platform is easy-to-use and to program due to clear separation of communication mediums on different controllers and benefits from the elimination of code duplication in the case of the radio controller unit.

ACKNOWLEDGMENT

The research presented in this paper was supported by the EU POS-CCE project “Ontology-based Service Composition Framework for Syndicating Building Intelligence: FCINT” No.181/18.06.2010

REFERENCES

- [1] Fcint - service composition framework based on ontologies for knowledge and information aggregation in smart buildings. Available: *fcint.ro*, 2013.
- [2] A. Baggio. Wireless sensor networks in precision agriculture. In *ACM Workshop on Real-World Wireless Sensor Networks (REALWSN 2005)*, Stockholm, Sweden, 2005.
- [3] J. Burrell, T. Brooke, and R. Beckwith. Vineyard computing: Sensor networks in agricultural production. *Pervasive Computing, IEEE*, 3(1):38–45, 2004.
- [4] B. da Silva Campos, J. J. Rodrigues, L. D. Mendes, E. F. Nakamura, and C. M. S. Figueiredo. Design and construction of wireless sensor network gateway with ipv4/ipv6 support. In *Communications (ICC), 2011 IEEE International Conference on*, pages 1–5. IEEE, 2011.
- [5] B. da Silva Campos, J. J. Rodrigues, L. D. Mendes, E. F. Nakamura, and C. M. S. Figueiredo. Design and construction of wireless sensor network gateway with ipv4/ipv6 support. In *Communications (ICC), 2011 IEEE International Conference on*, pages 1–5. IEEE, 2011.
- [6] I. Doroftei, V. Grosu, and V. Spinu. Omnidirectional mobile robot—design and implementation. *Habib, Maki. Bioinspiration and Robotics, Walking and Climbing Robots. Viena, Austria: I-Tech Education and Publishing*, pages 511–528, 2007.
- [7] J. Hill, M. Horton, R. Kling, and L. Krishnamurthy. The platforms enabling wireless sensor networks. *Communications of the ACM*, 47(6):41–46, 2004.
- [8] A. Parrot. Drone. Available: *ardrone.parrot.com*, 75, 2012.
- [9] C. Ulmer, S. Yalamanchili, and L. Alkalai. Wireless distributed sensor networks for in-situ exploration of mars. *Georgia Institute of Technology and California Institute of Technology, editors, Technical Report*, 2003.